

»FUTURA-mini« series

The filling unit protects devices connected downstream by ensuring a gradual build-up of pressure. The unit consists of a 3/2-way valve including silencer and a filling valve (start-up valve). It is connected and disconnected by means of the 3/2-way valve. The filling time can be altered by turning the adjusting screw.

Input pressure	2.5 - 10 bar
Temperature range	-10 °C to 50 °C
Medium	Compressed air, neutral gases
Duty cycle	100 %
Pick-up power with 50 Hz AC voltage	2.2 VA
Holding power with 50 Hz AC voltage	1.6 VA
Power input	2.5 Watt with DC voltage
Protection IP	IP 65
Electrical connection	Socket coupling EN 175301-803, form C, poles 2+PE
Housing	PA66 GF60
Connecting thread	Plastic
Flow rate	1400 l/min
Flow rate measurement	At P ₂ = 6 bar and pressure drop Δ _p = 1 bar

Filling unit, electrically operated, with 24 V DC, 2.5 W solenoid, adjustable filling time

Art. No.	Type No.	Thread	Exhaust air	Size
142526	FUM 913	G 1/4	G 1/4	0

Filling unit, electrically operated, with 24 V AC, 50 Hz solenoid, adjustable filling time

Art. No.	Type No.	Thread	Exhaust air	Size
142530	FUM 913-AC	G 1/4	G 1/4	0

Filling unit, electrically operated, with 115 V AC, 50 Hz solenoid, adjustable filling time

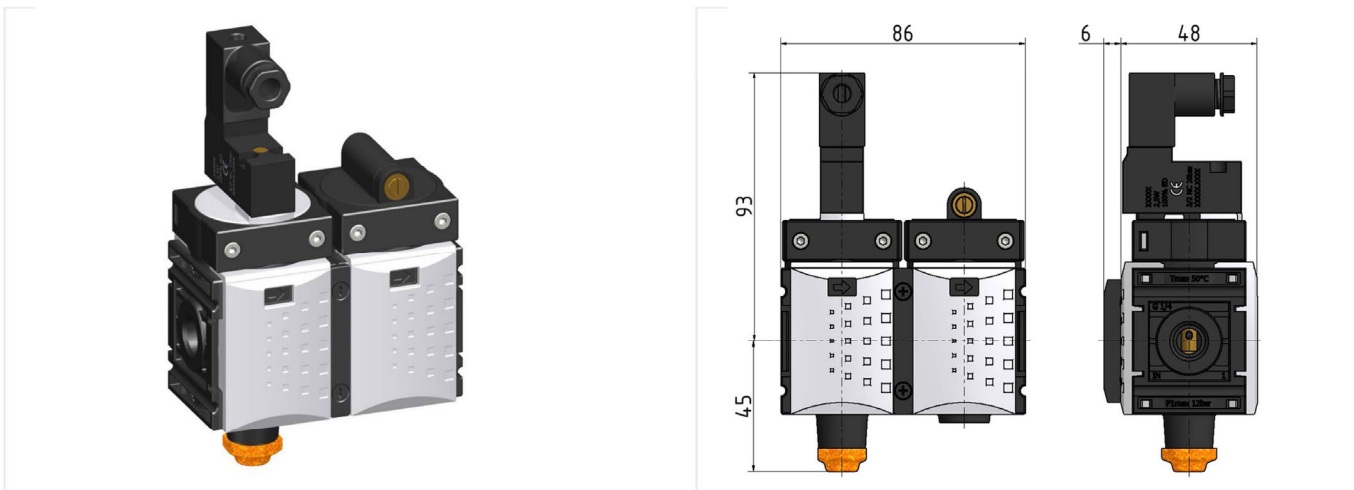
Art. No.	Type No.	Thread	Exhaust air	Size
142528	FUM 915	G 1/4	G 1/4	0

Filling unit, electrically operated, with 230 V AC, 50 Hz solenoid, adjustable filling time

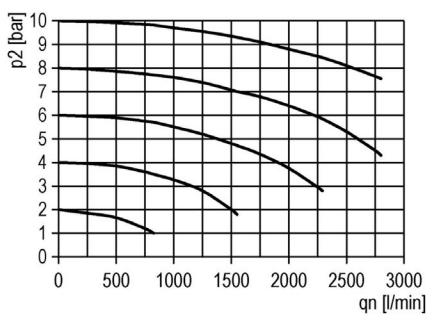
Art. No.	Type No.	Thread	Exhaust air	Size
142527	FUM 917	G 1/4	G 1/4	0

Accessories / spare parts

Art. No.	Type No.	Description
143105	H 848	Mounting bracket, incl. 2 screws
143010	WKM 100	Coupling package for wall mounting incl. 2 screws and O-ring
143022	KPM 100	Coupling package incl. 2 screws and O-ring
100405	568-2	Silencer
152077	WK 100-14	Wall bracket with connection thread G 1/4
100306	400-900-42	Pilot valve 24 V DC
100309	400-900-301	Pilot valve 24 V AC
100308	400-900-17	Pilot valve 230 V AC
154029	400-900-115	Pilot valve 115 V AC
100310	1920.FU	Connector type C



flow characteristic



symbol

